



# HYBRID TYPE SELF-REGULATING CENTRIFUGAL ROOF FANS

## CTBH ECOWATT Series



### CTBH/4-800/250 ECOWATT



Hybrid type, self-regulating centrifugal roof fans, low profile, horizontal outlet to fit directly to a circular duct. Designed to ventilate homes and small work spaces, complying with the Technical Building Code.

CTBH ECOWATT range fans start up automatically when temperature conditions do not permit sufficient natural air circulation.

Structure and bird-proof guard made from galvanized sheet steel, protected by black polyester paint with aluminium cover. It includes duct connection flange seal.

#### Motor:

Brushless EC, direct current, high-efficient and low-consumption motor with external rotor.

Supply 230V 15%/50-60Hz, IP44, thermal protection, and IP55 on-off switch, which can be moved away from the fan.

#### + Attributes



IP55 on-off switch, can be moved away from the CTBH ECOWATT fitted fan.



CTBH ECOWATT fitted onto a circular duct.



Bird proof guard  
Steel finger proof guard.



PROSYS CTBH remote control, supplied as accessory. Enables the operating parameters to be set.



Temperature probe.

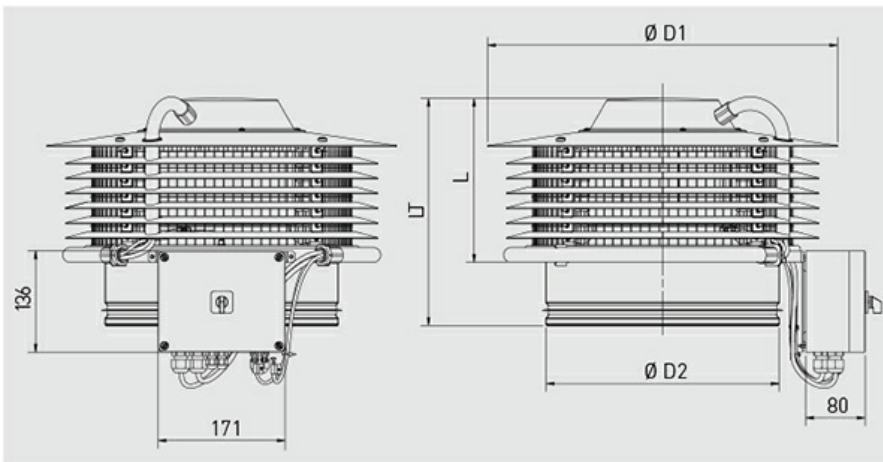
## + Technical characteristics

| Model                   | Maximum absorbed current (A) | Maximum absorbed power (W) | Maximum air volume at 40Pa (m <sup>3</sup> /h) | Weight (Kg) | Sound pressure level 70% of the maximum airflow - 40Pa (dB(A)) |          |
|-------------------------|------------------------------|----------------------------|--|-------------|--|----------|
|                         |                              |                            |  |             | Inlet  | Radiated |
| CTBH/4-500/200 ECOWATT  | 0,19                         | 27                         | 500  | 7           | 51   | 57       |
| CTBH/4-800/250 ECOWATT  | 0,32                         | 47                         | 800  | 8,5         | 58   | 64       |
| CTBH/4-1300/315 ECOWATT | 0,62                         | 91                         | 1.300  | 10          | 58   | 63       |

### Adjusting operation according to temperature

| Number of storeys in the building | Working temperature |
|-----------------------------------|---------------------|
| 1 to 5                            | > 0°C               |
| 6 to 10                           | > 5°C               |
| 11 to 15                          | > 10°C              |
| ≥ 16                              | > 15°C              |

## + Dimensions



| Model             | D1  | D2  | L1  | L2  |
|-------------------|-----|-----|-----|-----|
| CTBH-500 ECOWATT  | 410 | 200 | 156 | 242 |
| CTBH-800 ECOWATT  | 470 | 250 | 179 | 266 |
| CTBH-1300 ECOWATT | 470 | 315 | 202 | 288 |

## + Curves

- $q_v$ : Air volume in  $m^3/h$ .
- $p_{st}$ : Static pressure in Pa.
- Absorbed power in W.
- SFP: Specific fan power in  $W/m^3/s$ .
- Performance data in accordance with ISO 5801 and AMCA 210-99 Standards.

