



ROOF MOUNTED AXIAL FLOW FANS

HCTB / HCTT Series

HCTT/4-500-A (400V50HZ) VE



ATEX versions HCTT

ATEX versions available for 3 phase models. For ambient working temperatures from -20°C to +40°C. Motors IP55, class F.

- ATEX Flameproof - Gas

Only available for 800 to 1000 models

ExII 2G Ex d IIB T4II 2G Ex d IIB+H2 T4 (with motor Ex d IIC T4)

- ATEX Increased safety Gas

ExII 2G Ex e II T3

- ATEX - Dust

Only available for 800 to 1000 models

Suspended flammable particles and non-conductive dust:

ExII 3D Ex tc IIIB T125°C

Conductive dust:

ExII 3D Ex tc IIIC T125°C (with IP65 motor)

To select HXTT ATEX refer to performance data or EASYVENT.

Note electrical data may vary for ATEX motors."



Range of axial roof fans with horizontal air discharge configuration available in 2 version:

-B models for air extract.

-A models for air supply.

Base manufactured from galvanized sheet steel.

Cowl manufactured from spun aluminium. The impellers for models 315 to 400 are manufactured from one piece injection moulded plastic, reinforced with chemical anchored fibreglass for additional strength. Models 450 to 1000 incorporate separate plastic blades locked within a die cast aluminium hub.

Available, depending upon the model, with single or three phase motors in 4, 6, 8 or 4/8 poles.

Motors

All motors are IP65 (1) Class F (2) with thermal protection (3) and ball bearings greased for life.

Electrical supply:

-Single phase 230V-50Hz (Capacitor located inside the wiring terminal box).

-Three phase 400V-50Hz.

(See characteristics chart).

All single phase models are speed controllable by voltage except HCTB/4- 560, HCTB/4-630.

All three phase models are speed controllable by autotransformer, except models HCTT/4- 560, HCTT/4-630, 710 to 1000.

Three phase models, 1 speed motor, are speed controllable by inverter.

(1) 800 to 1000 models are IP55.

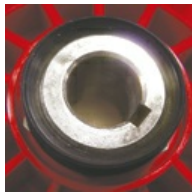
(2) Air stream temperature limits -40°C to +70°C (except models 800 to 1000 suitable for usage in environments from -20°C to 40°C).

(3) 800 to 1000 models are not equipped with thermal protection.

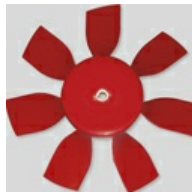
+ Attributes



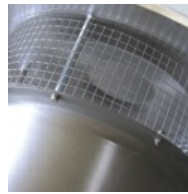
Easy to install
Base supports to facilitate installation.



High quality steel sleeve
Ensuring the long life of the fan.



Impeller dynamically balanced
Impellers are dynamically balanced, according to ISO 1940 standard, giving vibration free operation.



Bird-proof guard

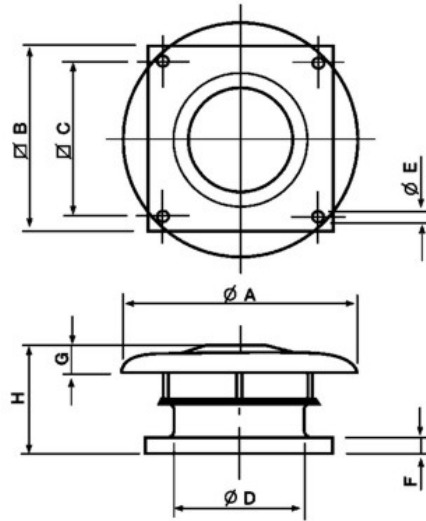
+ Acoustic characteristics

Hz	63	125	250	500	1k	2k	4k	8k	Overall
Inlet (LwA)	52	71	75	77	78	74	67	61	83
Inlet LpA @ 1.5m	38	56	60	62	64	60	52	47	68
Outlet (LwA)	57	75	80	84	86	83	76	68	90
Outlet LpA @ 1.5m	42	60	65	70	72	69	62	54	76

+ Technical characteristics

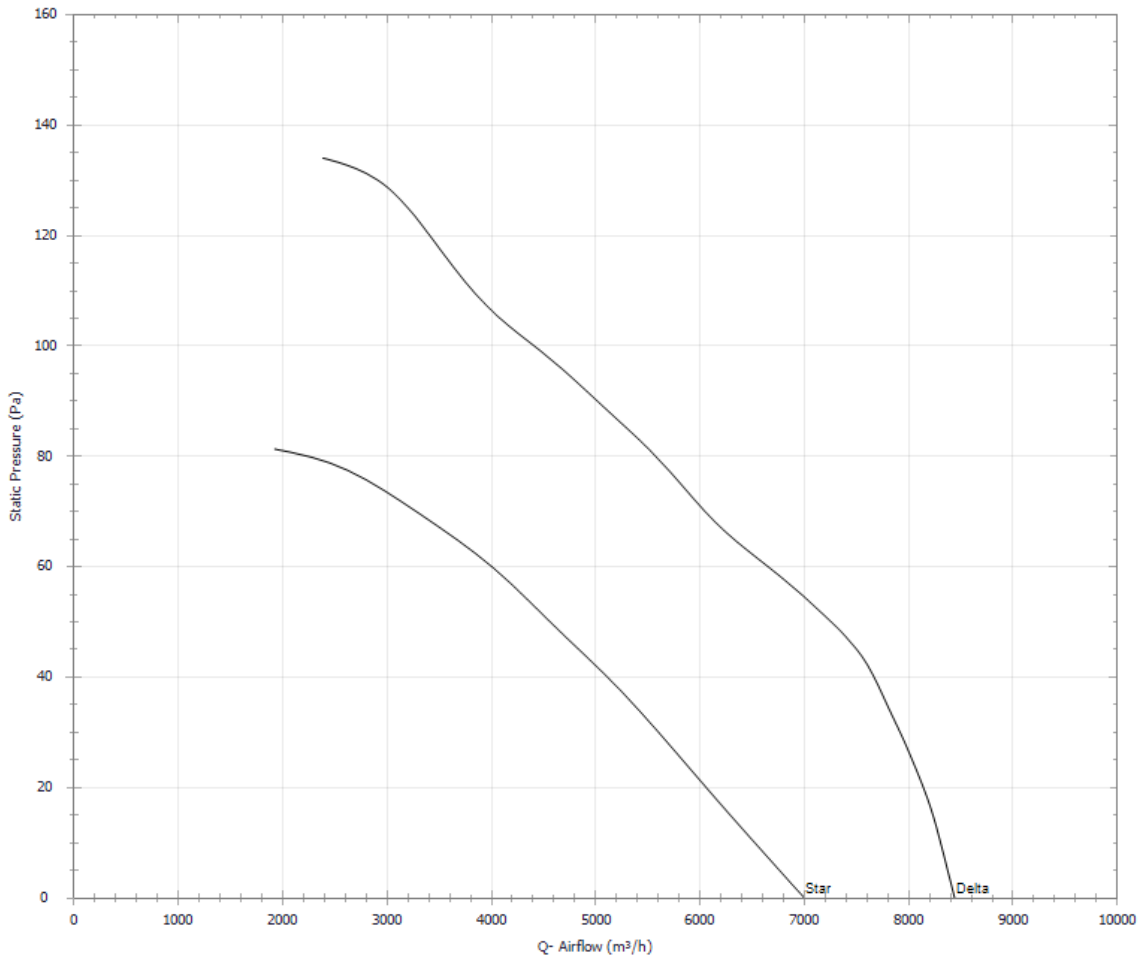
Unfortunately an error occurred.

+ Dimensions

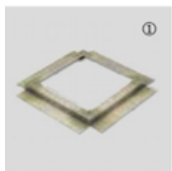


$\varnothing A$	B	C	$\varnothing D$	$\varnothing E$	F	G	H
895	710	590	500	14	40	110	410

+ Curves



+ Mounting Accessories



JMS Sealing frame
 - For mounting a roof fan on an up stand or base.
 - Supplied with screws and gasket for a complete weatherproof seal.



JAE N Flexible coupling
 - Reduces the transmission of vibrations when the duct is connected directly to the fan.
 - To be mounted at the fan inlet with JPA plate.



JCA N Backdraft shutter
 - Prevents backdraft when the fan is not operating.
 - To be mounted at the fan inlet with the JPA plate.



JBS Flat roof up stand
 - For mounting a fan on a flat roof without up stands.
 - For use on horizontal roofs.
 - Internal insulation to prevent condensation.
 - Supplied with screws and gasket for a complete weather seal.



JCC Adapter for circular duct
 - For use when fitting the models up to 400, directly to a spirally wound circular duct.



JBR N Flange
 - For use when circular connection is required directly to the fan.
 - To be mounted at the fan inlet with the JPA plate or fixed directly to the fan base (rivets or screws not supplied).



JPA Accessory adapter plate
 - Used when mounting the accessories [JCA, JBR, JAE].
 - Allows the fan to be disconnected from the up stand without having to remove the duct.



BI Support base for inclined curb mounted installations
 - To ensure a proper installation of the product it is essential to specify the roof pitch angle and the distance between the roof beam profiles.



JAA Acoustic up stand
 - Reduces in duct and radiated noise.
 - For use when mounting a fan on a flat roof without up stands.
 - Supplied with screws and gasket for a complete weather seal.

+ Electrical Accessories



REB
Single phase
electronic speed
controllers.



RMB / RMT
Auto transformer
speed controllers
available in single
phase and three
phase motors.



**On/ Off Electrical
isolation switch**
- Switch On/ Off 5P.
- Switch On/ Off 8P.



COM D/S
**Three phase fan Y / Δ
switch**
Enables to connect
three phase fans.



VFTM IP54
Adjustable
frequency
drives for three
phase motors from
0,37 to 15 kW.



VFKB IP65
Adjustable
frequency
drive for three phase
motors from 0,37 to
4 kW.



DEMA DH
Switch for 2-speed
motors with
Dahlander.