



Circular duct fans

VENT ECOWATT Series

VENT-355-ECOWATT(230V 50Y60HZ) VE



In-line centrifugal duct fans suitable for wide range of general residential, commercial and industrial exhaust or supply ventilation applications. Description Circular in-line duct fans from 100 to 400 mm diameter. Models are suitable for mounting in any orientation and operation within ambient air temperatures between -20°C up to +40°C. Comprehensive range of accessories to ease the installation and control the fan performances. Construction Fan casing manufactured from high-grade corrosion-resistant pressed galvanized steel, with black polyester paint coating. Fully airtight sealed assembly. Direct drive centrifugal impeller. Brushless EC motor, with thermal overload protection, suitable for single phase supply 230V +/- 15%/50-60Hz. Fan speed adjustable with the potentiometer placed in the connection box or with an external control type REB-ECOWATT. Analogue input with terminals in the terminal box to control the fan with 0-10V input signal. Marca [MARCA].

+ Attributes



Mounting foot
Supplied with unit as standard (Models 100 to 315).



Models 355 and 400

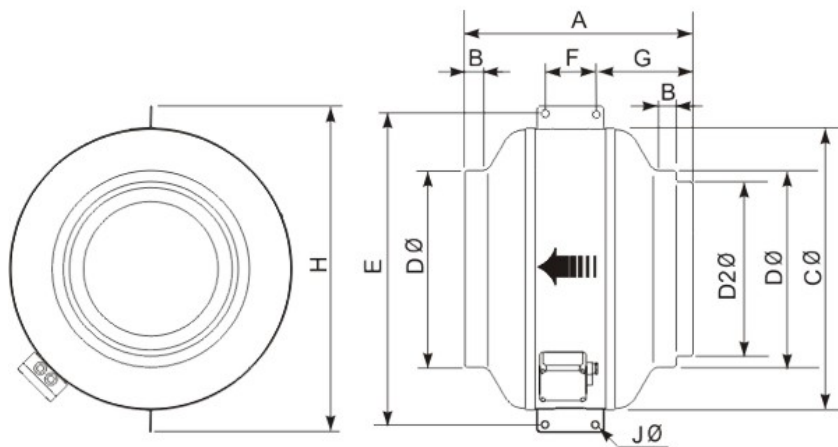
+ Acoustic characteristics

Hz	63	125	250	500	1k	2k	4k	8k	Overall
Inlet (LwA)	40	58	68	72	68	66	61	52	75
Inlet LpA @ 1.5m	25	43	53	57	53	51	46	37	61
Outlet (LwA)	42	61	70	72	74	69	61	53	78
Outlet LpA @ 1.5m	27	46	55	57	59	54	46	38	63
Breakout (LwA)	29	42	55	57	63	57	48	41	65
Breakout LpA @ 1.5m	14	27	40	42	48	42	33	26	51

+ Technical characteristics

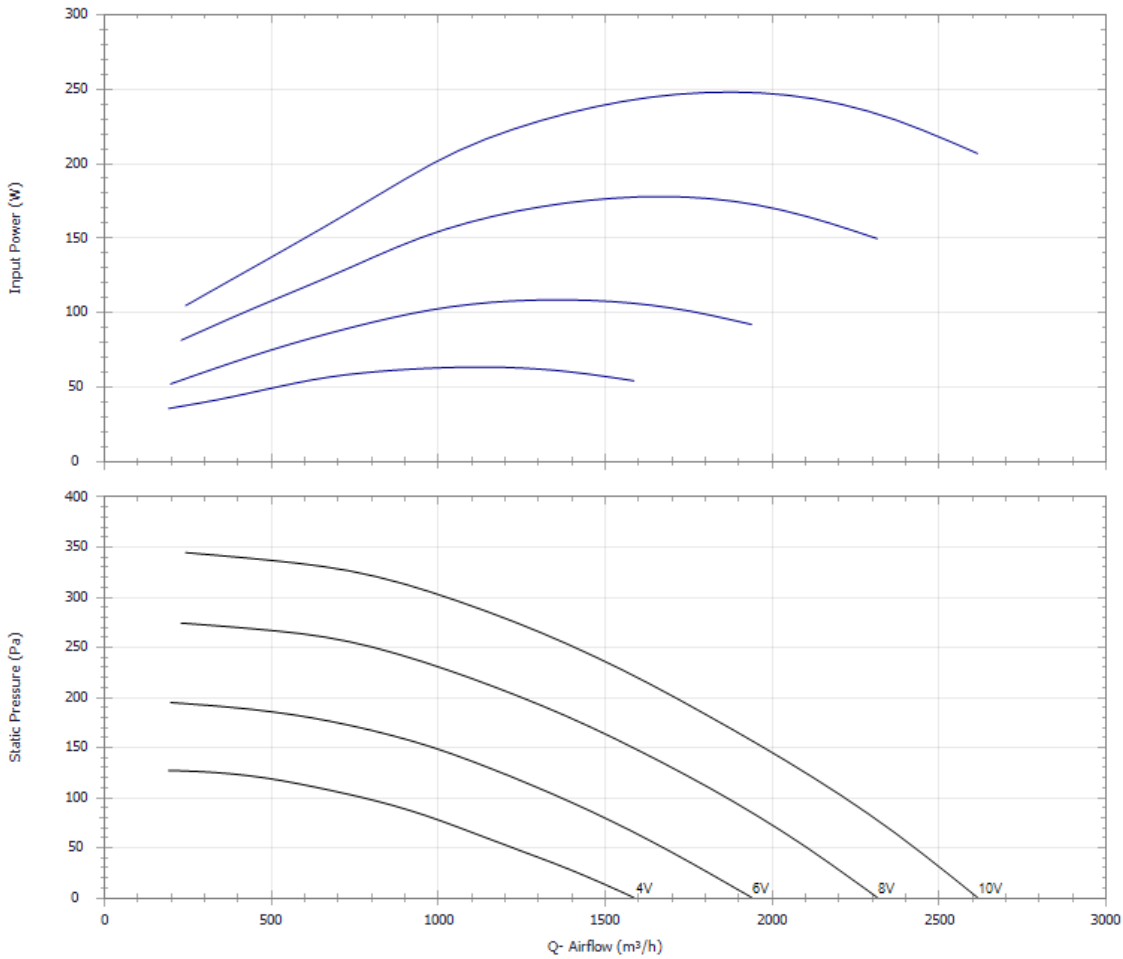
Unfortunately an error occurred.

+ Dimensions



A	B	C	D	D2	E	F	G	H	J
410	25	508	354	314	565	100	170	587	11

+ Curves



+ Mounting Accessories



DEF-VENT
Protection grille.



ACOP-VENT
Flexible connectors.



MFL-G4
G4 filtration box.



MBE
Electrical heater batteries.



MFL-F
Filtration box for
MFR bag filters F5,
F6 or F7 grade.



SIL
Circular sound
attenuators.



CAR
Backdraught
shutters.



MPC
Flow detectors.

+ Electrical Accessories



CONTROL ECOWATT AC/4A
Control element for demand controlled ventilation systems.



REB-ECOWATT
Speed controller for fans fitted with EC motor.



SCO2-A
CO₂ and temperature sensor.
SCO2-AD
CO₂ and temperature sensor, with display.



CPFL-S / CPFL-E
Presence detector.



TDP-S / TDP-D
Pressure sensor.



REMP
Motorised damper.