



# CENTRIFUGAL SINGLE INLET PLASTIC FANS

## CMPT (2) Series

CMPT/8-70 60/160 7,5KW  
LG000 (400/690V 50HZ)



Range of single inlet direct drive centrifugal fans manufactured from tough injection moulded polypropylene plastic, motor support and designed for extraction of corrosive fumes.

All the fans are provided with forward curved centrifugal impellers manufactured from injection moulded polypropylene plastic.

Available, depending upon the model, with single or three phase motors in 2, 4, 6 or 8 poles.

Working temperature from -10 to 60 °C.

### Motors

All motors are IP55, class F insulation.

Electrical supply:

Single phase 230V-50Hz up to 1,1 kW.

Three phase 230/400V-50Hz.

Three-phase motor fans speed controlable by inverter (See characteristics chart).

### Additional information

The mounting frames are manufactured from:

- Nylon (models from 14 to 25)

- Polypropylene (models 30 and 35)

- Galvanised sheet steel (model 42 to 70)

Standard supplied position: LG 0.

The scroll can be orientated in 8 different positions. Screws in stainless steel.

### On request

Fan supplied in RD positions.

(Except models 14, 20A and 30A).

Two speed motors.

Scroll fitted with a permanent drain to evacuate condensation water.

ATEX version (see CMPT ATEX series).

### + Attributes



#### Circular outlet duct connection

For models up to CMPT-30 and CMPT-25M



#### Rectangular outlet duct connection

For models CMPT-35 and CMPT-42, CMPT-20A, CMPT-25A and CMPT-30A



#### Though and quality design

Tough Injection moulded polypropylene plastic. Screws in stainless steel



#### Forward curved centrifugal impeller

Forward curved centrifugal impeller manufactured from injection moulded polypropylene plastic

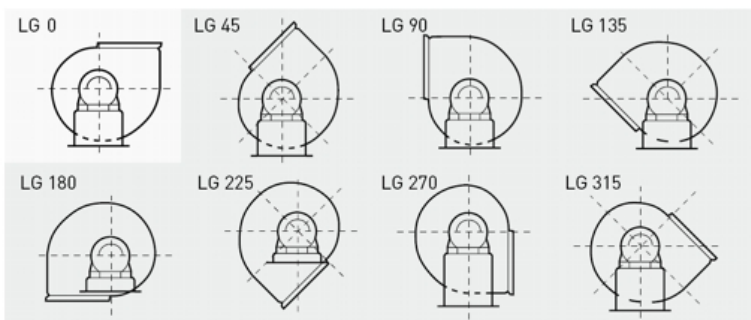
## + Acoustic characteristics

Unfortunately an error occurred.

## + Technical characteristics

Unfortunately an error occurred.

## + Orientation



LG 0 standard supplied position. Other LG positions and RD configuration manufactured on request.

## + Dimensions

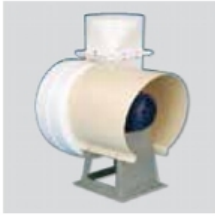
Unfortunately an error occurred.

11

## + Curves



## + Mounting Accessories



CMP-14 to 42



CMP-50, 60 and 70

**CMP**  
Motor shield



**CTP-N**  
Rain cowl  
Discharge terminal with  
rain sleeve.



**DEF-CIR**  
Protection guard  
To prevent any contact with the  
impeller fan.  
To install at the inlet side.



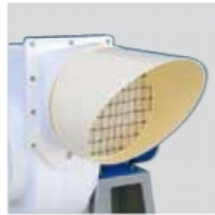
**REP-400/355**  
PVC reducer used to connect  
sections of different  
diameters.



**ACP-N**  
Outlet transformation  
connector  
Provided with a sliding blade to  
control the airflow.



**MFP-N**  
Inlet flexible  
connector  
Fan inlet flexible  
coupling.



**APP-N**  
Discharge protection guards  
For direct connection to the  
circular outlet flange.



**CARP-N**  
Circular damper  
Manually operated  
circular damper.



**APR**  
Protection guard  
Protection guards for direct  
connection to the rectangular  
outlet flange. Provided with a  
sliding blade to control the  
airflow.



**SILP**  
Silencer  
Silencer to be installed either  
at the inlet or outlet of the fan.