



# LOW PRESSURE CENTRIFUGAL FANS CBM Series

CBM-15/11 2200 6PT C K  
IP55 (230/400V50)F V5



Range of double inlet direct driven low pressure centrifugal fans manufactured from galvanised sheet steel. All the models are fitted with forward curved centrifugal impellers manufactured from galvanized sheet steel.

#### **Motors**

Housing closed motors, IP44, class F, equipped with thermal protection and ball bearings greased for life.

Electrical supply:

4 or 6 pole depending on version. Single phase 230V-50Hz (capacitor fitted on the fan housing).

Three phase 230/400V-50Hz. (See characteristics chart).

#### **On request**

Housing open motors IP20, class F. Coupling flange fitted at the fan outlet (B version). Special version kitchen IP55, class F.

Three phase motors suitable for frequency inverter control.

## + Attributes



**Anti-vibration mounts** All motors are fitted with support including rubber antivibration mounts reducing the noise transmitted to the installation.



**Impeller dynamically balanced** Impeller dynamically balanced, according to ISO 1940 standard, providing vibration free operation.

## + Acoustic characteristics

Unfortunately an error occurred.

## + Technical characteristics

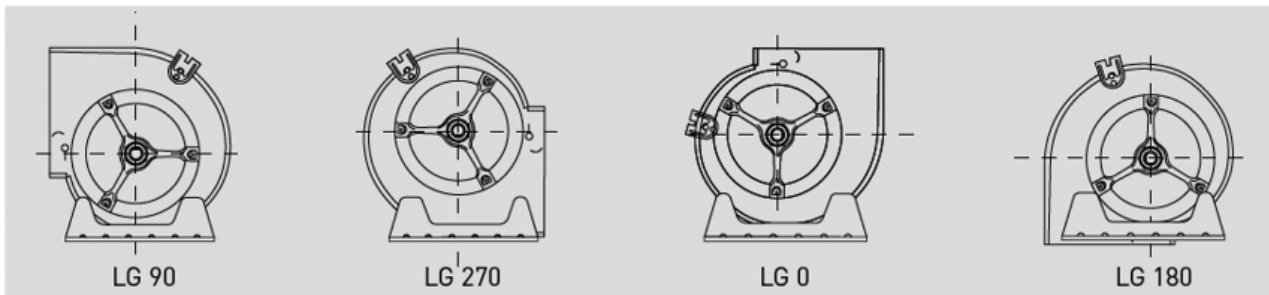
Unfortunately an error occurred.

## + Reference

CBM	9/9	373	6P	T	C	VR	K	BB	MP	IP55
1	2	3	4	5	6	7	8	9	10	11

- |   |   |   |
|---|---|---|
| <p>1 - Product range.</p> <p>2 - 7/7, 9/7, 9/9, 10/8, 10/10, 12/9, 12/12, 15/15<br/>Wheel dimensions in inches.</p> <p>3 - Motor Power (W).</p> <p>4 - 4P, 6P: Number of pole.</p> <p>5 - Nothing: Single phase.<br/>T: Three phase.</p> <p>6 - C: Closed motor (IP44).<br/>RE: External Rotor Motor.<br/>Nothing: Open motor (IP20).</p> | <p>7 - Nothing: 1 speed - motor.<br/>2V: fan with 2 speed motor.<br/>3V: fan with 3 speed motor.<br/>VR: Speed controllable motor by tension.<br/>EC-0-10V, EC-CK, EC-PK, EC-CK/DG:<br/>motor with electronic control.</p> <p>8 - Nothing: Standard CBM.<br/>K: CBM Reinforced cubic structure.</p> | <p>9 - Nothing: Standard CBM.<br/>B10, B11, B5, B7, B8, B9, BE: CBM fitted<br/>with outlet coupling flange.<br/>The number indicates the fixing holes<br/>diameter.</p> <p>10 - Nothing: Product on individual packing.<br/>MP: Multi product palletizing.</p> <p>11 - IP rating.</p> |
|---|---|---|

## + Orientation



Mounting feet (accessory) allow 4 positions of the inlet discharge.

## + Dimensions

Unfortunately an error occurred.

11

## + Curves



## + Mounting Accessories



Outlet flange CBM



Mounting feet

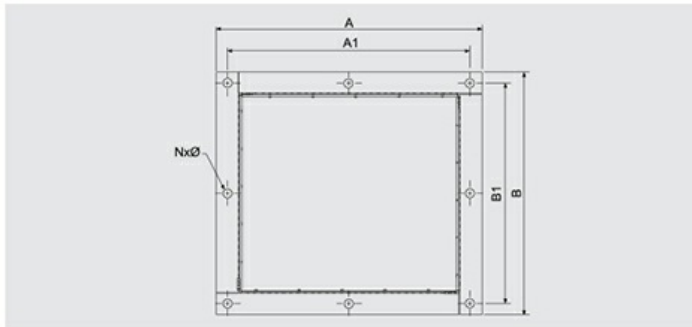


Inlet guard

Model	Outlet flange CBM	Mounting feet	Inlet guard
CBM-7/7	Brida desc. CBM-7/7	PIE SOPORTE CBP/CBM 7/7	DEF-CBM-7
CBM-9/7	Brida desc. CBM-9/7	PIE SOPORTE CBP/CBM 9/9	DEF-CBM-9
CBM-9/9	Brida desc. CBM-9/9	PIE SOPORTE CBP/CBM 9/9	DEF-CBM-9
CBM-10/8	Brida desc. CBM-10/8	PIE SOPORTE CBP/CBM 10/10	DEF-CBM-10
CBM-10/10	Brida desc. CBM-10/10	PIE SOPORTE CBP/CBM 10/10	DEF-CBM-10
CBM-12/9	Brida desc. CBM-12/9	PIE SOPORTE CBP/CBM 12/12	DEF-CBM-12
CBM-12/12	Brida desc. CBM-12/12	PIE SOPORTE CBP/CBM 12/12	DEF-CBM-12
CBM-15/15	-	-	DEF-CBM-15

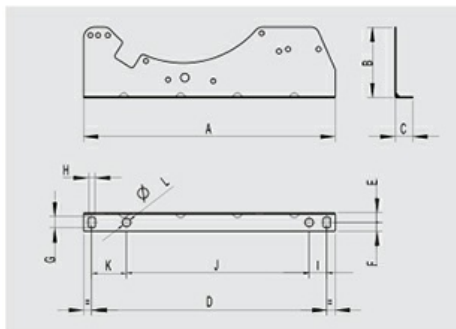
### Accessories dimensions (mm)

#### Outlet flange CBM



Model	A	A1	B	B1	NxØ (mm)
Brida desc. CBM-7/7	289	264	265	240	8x9
Brida desc. CBM-9/7	273	253	302	280	8x9
Brida desc. CBM-9/9	360	328	315	285	8x10
Brida desc. CBM-10/8	314	293	339	316	8x9
Brida desc. CBM-10/10	380,5	359	339	316	8x9
Brida desc. CBM-12/9	362	341	394,5	374	8x9
Brida desc. CBM-12/12	447	426	394,5	374	8x9

#### Mounting feet



Model	A	B	C	D	E	F	G	H	I	J	K	L
7/	254	47	26	227	13,5	12,5	16	10,5	15	195	15	12
9/	325	102	26	297	13,5	12,5	16	10,5	-	-	35,7	10,5
10/	363	102	26	339	13,5	12,5	16	10,5	37,5	263,5	62	12
12/	434	144	26	407	13,5	12,5	16	10,5	48	333,5	25,5	12